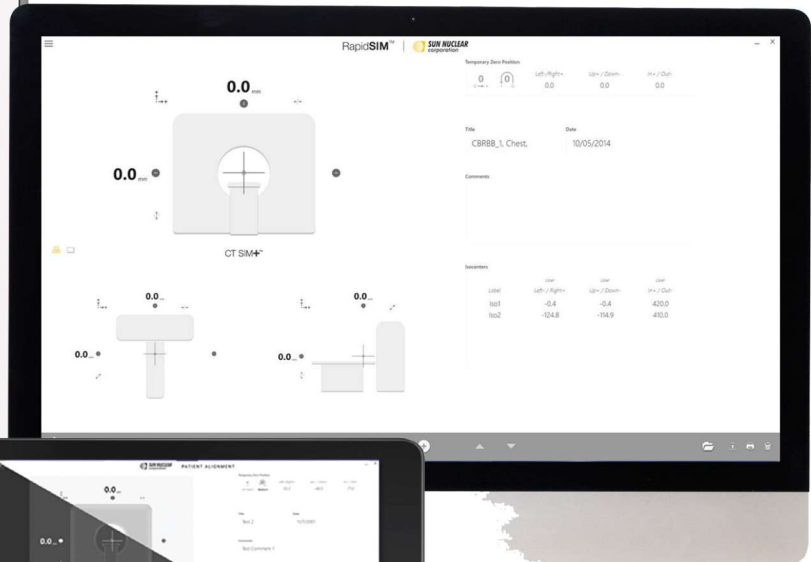
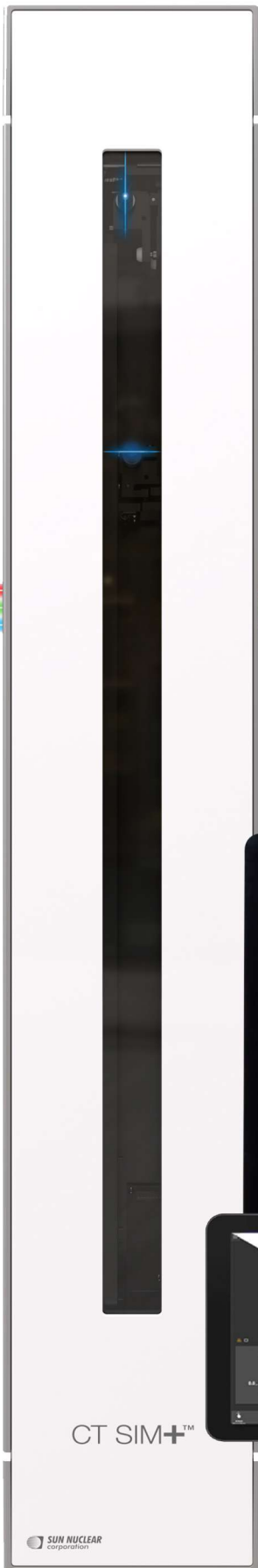


# CT SIM+™

with RapidSIM™ Software

**Patient-Centered  
Moveable Lasers  
for PET/CT  
Simulation**



CT SIM+™

SUN NUCLEAR corporation



**PEO B.V.**  
info@gotopeo.com  
www.gotopeo.com

**The Netherlands**  
Havenweg 16, 6603 AS Wijchen  
+31 (0)24 648 86 88

**Belgium**  
Watmolenstraat 2, B-2910 Essen  
+32 (0)3 309 32 09

CoC 34107894  
VAT NL807859151B01

IBAN NL29 RABO 0356 1960 46  
BIC RABONL2U





# PATIENT-CENTERED MOVEABLE LASERS

The CT SIM+™ moveable laser system has been designed from the ground up to support your PET/CT Simulation workflow. Unmatched precision and accuracy provide enhanced confidence for patient safety. A modern, unassuming design combined with accessible software allows your team to work unimpeded by physical or technological barriers.

**PEO B.V.**

info@gotopeo.com  
www.gotopeo.com

**The Netherlands**

Havenweg 16, 6603 AS Wijchen  
+31 (0)24 648 86 88

**Belgium**

Watermolenstraat 2, B-2910 Essen  
+32 (0)3 309 32 09

CoC 34107894

VAT NL807859151B01

IBAN NL29 RABO 0356 1960 46

BIC RABONL2U

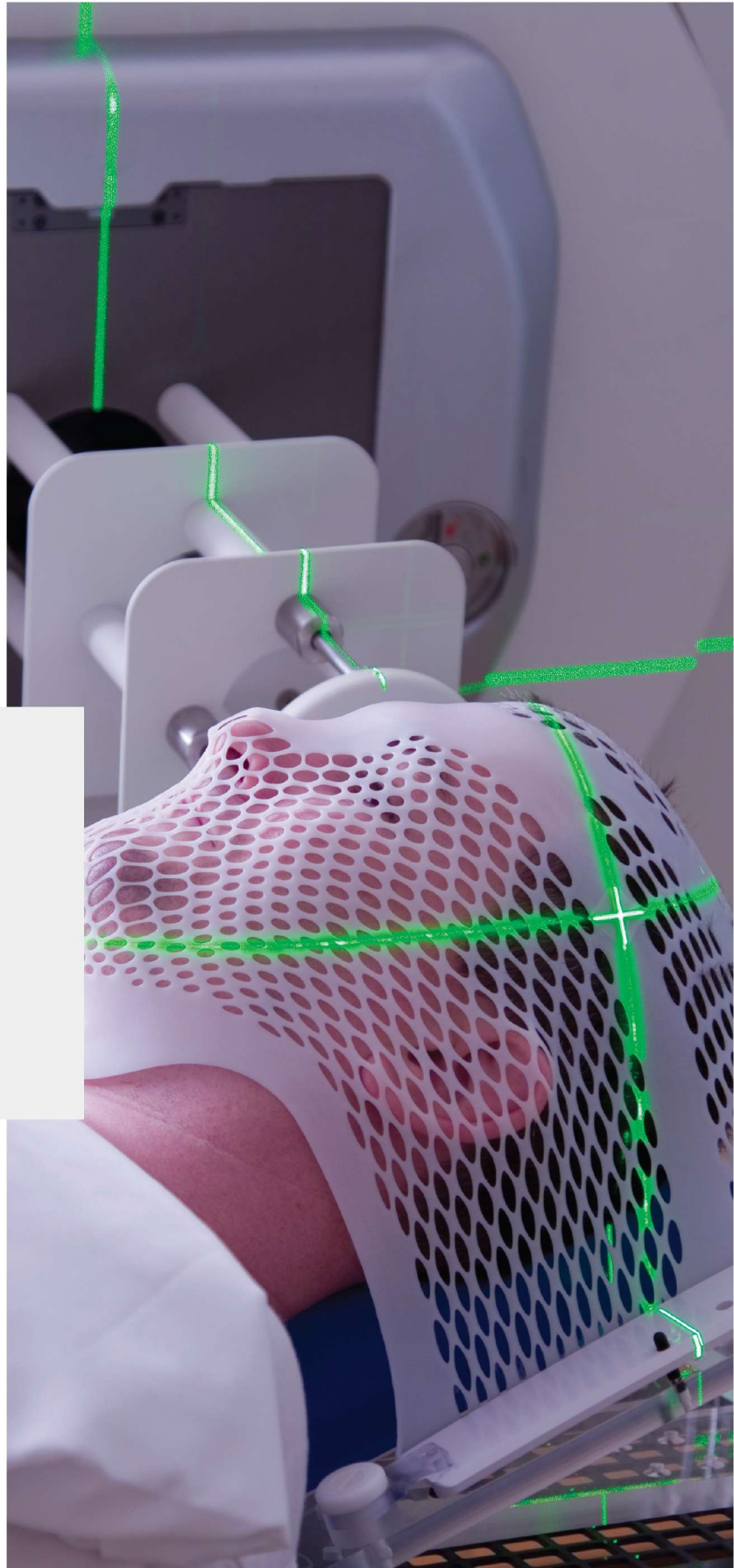


CT SIM+ features a common aluminum body across all configurations, enabling simplified installation. Tool-free accessibility ensures efficient service and alignment adjustments, every time.

Included RapidSIM™ software reads and directs lasers to the correct coordinates, allowing hands-free laser movement to the isocenter, for simulation or alignment. A touchscreen monitor and handheld tablet create redundancy and ease of workflow when moving in and out of the room.

### PRECISION & FLEXIBILITY FOR YOUR WORKFLOW

- Accuracy at the patient of +/-0.5 mm
- Laser line widths of  $\leq 0.5$  mm for all colors
- Industry-leading lengths of  $\geq 4$  meters at 3 meters
- A single price for all wavelengths - red, green or blue



**PEO B.V.**

info@gotopeo.com  
www.gotopeo.com

**The Netherlands**

Havenweg 16, 6603 AS Wijchen  
+31 (0)24 648 86 88

**Belgium**

Watermolenstraat 2, B-2910 Essen  
+32 (0)3 309 32 09

CoC 34107894

VAT NL807859151B01

IBAN NL29 RABO 0356 1960 46

BIC RABONL2U



## CT SIM+™

Precision Lasers for PET/CT Simulation

THREE LASER WAVELENGTH OPTIONS—ONE PRICE



Ask about our  
Service offerings.

### Laser System Highlights

- Reinforced housing offers reliability, and sleek, modern design fits in seamlessly in any clinical space
- Tool-less entry supports easy serviceability
- Flexible configurations available
  - 3-arm or 5-arm configurations available for wall/ceiling, posts, and bridge
- Integrated anti-reflection window and surfaces to eliminate diffraction or reflections
- Patient-centered accuracy
  - +/- 0.5 mm at 3.0 meters
- Laser line widths of  $\leq 0.5$  mm for all colors
- Laser line lengths of  $\geq 4$  meters at 3 meters for ease of positioning

**PEO B.V.**

info@gotopeo.com  
www.gotopeo.com

**The Netherlands**

Havenweg 16, 6603 AS Wijchen  
+31 (0)24 648 86 88

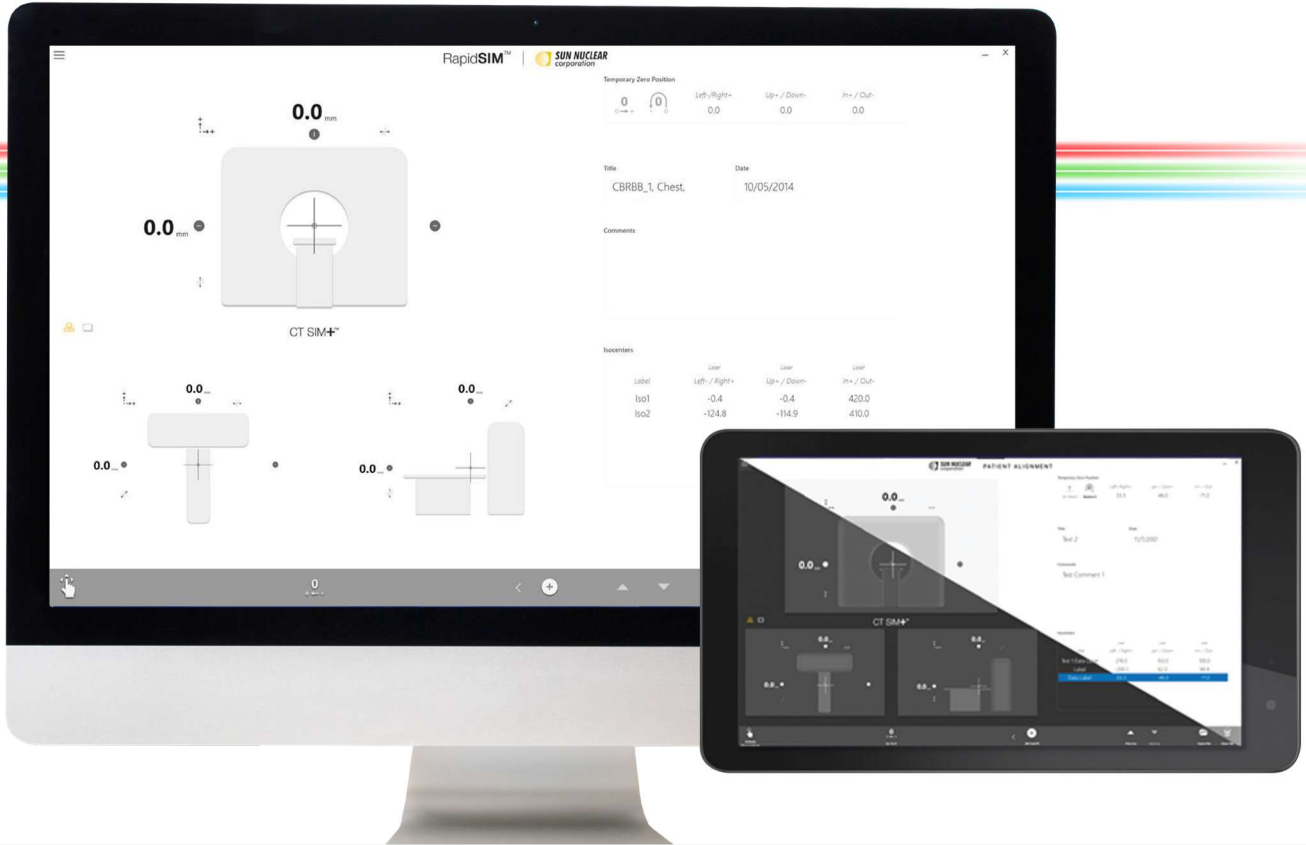
**Belgium**

Watermolenstraat 2, B-2910 Essen  
+32 (0)3 309 32 09

CoC 34107894  
VAT NL807859151B01

IBAN NL29 RABO 0356 1960 46  
BIC RABONL2U





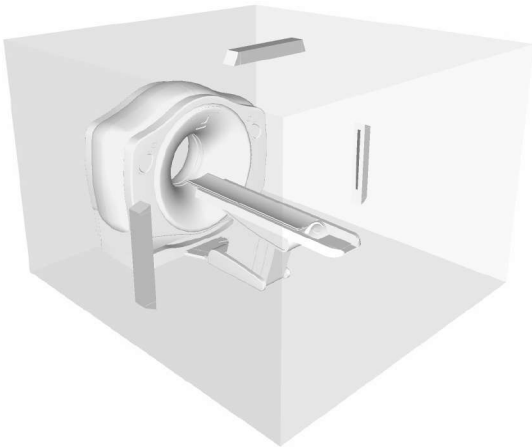
## RapidSIM™ Software Highlights

- Advanced software accesible from touchscreen monitor and in-room tablet reads and directs lasers to the correct coordinates
- Flexible levels of automation, based on your needs:
  - IsoDRIVE™ mode works with all OEM technology to retrieve the coordinates from your TPS, and automatically moves the lasers into position
  - A three-tiered feedback loop that takes input from the optical strip, optical encoder, and software, confirms when proper laser placement has been achieved.
- DICOM mode allows single point selection, driven by the user
- Manual mode allows the user to manually enter coordinate information

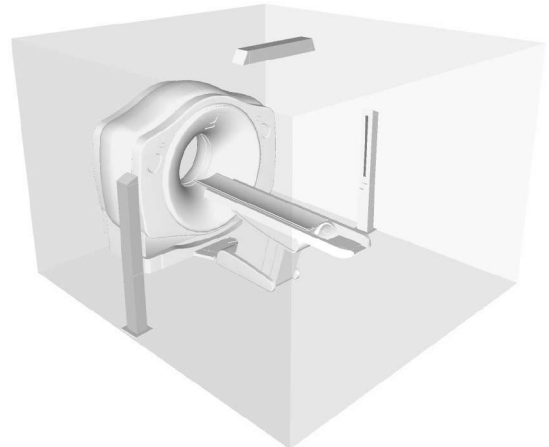


## Configurations

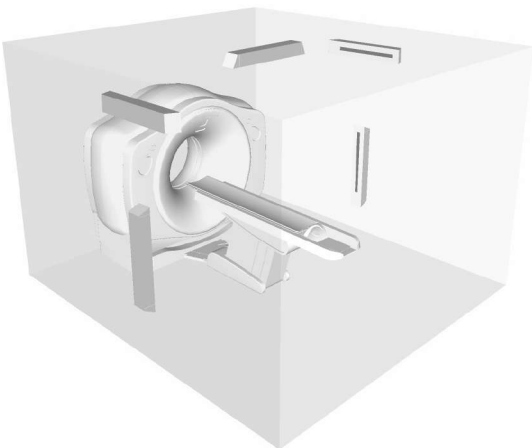
Wall/Ceiling  
3-Arm



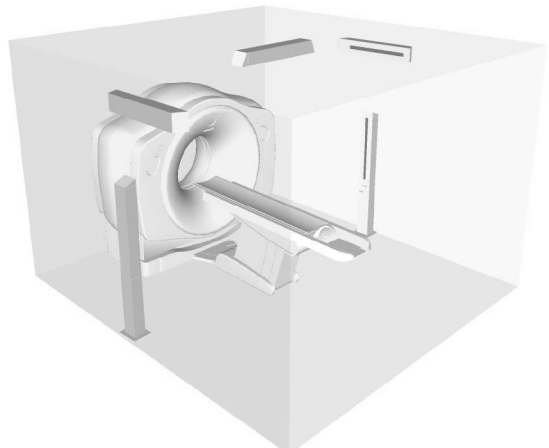
Posts/Ceiling  
3-Arm



5-Arm



5-Arm



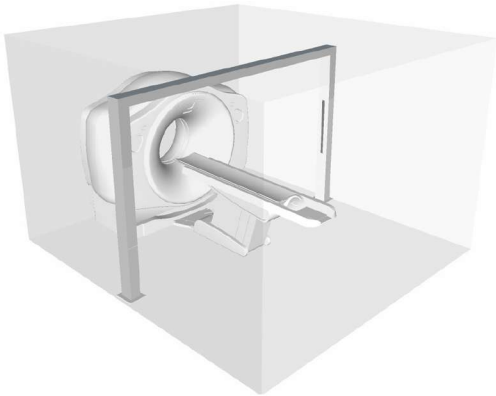
### Benefits

- Maximizes space in scanner room
- Cleaner room design/layout
- Lasers tucked away safely from carts and stretchers

### Benefits

- Constructed of extruded aluminum for strength and durability
- Floor-mounted lateral lasers replace wall installation
- Ceiling laser installed to uni-strut or other solid structure

## Bridge 3-Arm



## Benefits

- Constructed of extruded aluminum for strength and durability
- Install in new or existing rooms without need for expensive renovations
- Multiple cable entry points for easy management

Custom configurations available, depending on room size and layout.

## Specifications

### Laser Output

Power (mW): <1.0

Range (m): Up to 6

Line Width:  $\leq 0.5$  mm for all colors @ 4 m

Line Length:  $\geq 4$  meter @ 3 m

Available Colors: Wavelength 635 nm Red  
Wavelength 515 nm Green  
Wavelength 450 nm Blue

### Mechanical

Length of travel: 70 cm

Mechanical Resolution: 0.02 mm

Projected Laser Accuracy at the Patient:  $\pm 0.5$  mm at 3.0 m

### Dimensions

	Wall	Post	Bridge
Length (cm):	119.1/46.9	177.0/69.7	253.9/100.0
Width (cm):	20.1/7.9	20.1/7.9	26.7/10.5
Depth (cm):	11.9/4.7	11.9/4.7	11.9/4.7

### Power Requirements

Voltage: 110/240 VAC (auto-select)

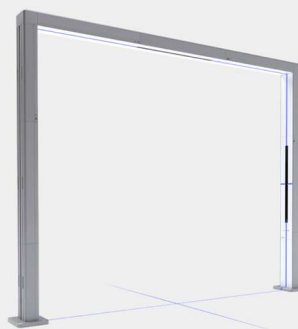
### Wireless Connectivity

Wifi: 802.11 b/g/n

### Certifications

Complies with Center for Devices and Radiological Health regulations 21 CFR 1040 for Class II lasers and all CE requirements. Certified to: IEC 60601 (Safety); IEC 60825-1 (Laser). 510(k) clearance (K152303). Gammex is an ISO13485 certified medical device manufacturer.

### Configuration Detail



Bridge configuration



Wall configuration



Post configuration

#### PEO B.V.

info@gotopeo.com  
www.gotopeo.com

#### The Netherlands

Havenweg 16, 6603 AS Wijchen  
+31 (0)24 648 86 88

#### Belgium

Watermolenstraat 2, B-2910 Essen  
+32 (0)3 309 32 09

CoC 34107894

VAT NL807859151B01

IBAN NL29 RABO 0356 1960 46

BIC RABONL2U

