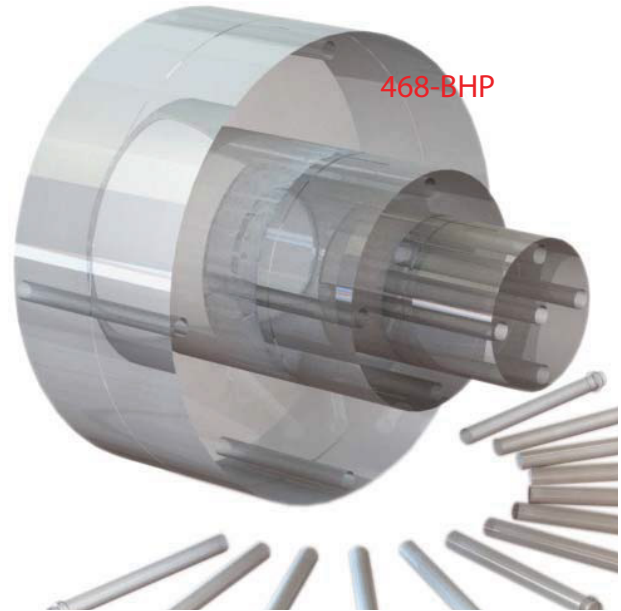


# CT Dose Index phantom

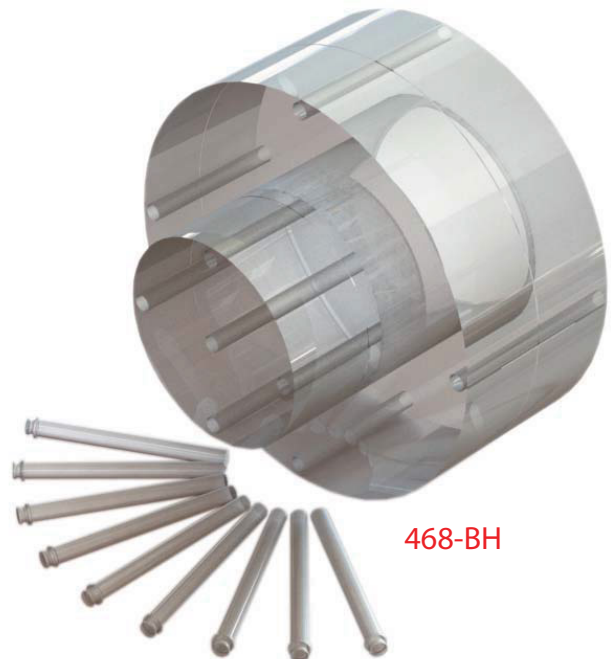
## model 468-BH & 468-bhp

COMPUTED TOMOGRAPHY DOSE INDEX (CTDI) PHANTOMS ARE A KEY PART OF YOUR CT QUALITY CONTROL PROGRAM. MEASURE ABSORBED DOSE AND MONITOR SCANNER OUTPUT WITH THIS NEW AND EASY TO USE DESIGN



### confidence with your CT QA

The Gammex 468 CTDI Phantom was designed to meet specifications outlined by the Food and Drug Administration (FDA 21CFR 1020.33) and the International Electrotechnical Commission (IEC 60601-2-44). The phantom is offered as a 2-piece (468-BH) or 3-piece (468-BHP) telescopic configuration. Each configuration consists of nested modules, allowing the user to adapt the phantom to the desired size required by the protocol in use. Each module allows the user to collect dose measurements on the central axis of the phantom or at periphery positions located every 90 degrees at 1.0-cm depth from the surface.



INNOVATORS IN LASER ALIGNMENT & QUALITY ASSURANCE PRODUCTS

**PEO B.V.**

info@gotopeo.com  
www.gotopeo.com

**The Netherlands**

Havenweg 16, 6603 AS Wijchen  
+31 (0)24 648 86 88

**Belgium**

Watermolenstraat 2, B-2910 Essen  
+32 (0)3 309 32 09

CoC 34107894

VAT NL807859151B01

IBAN NL29 RABO 0356 1960 46

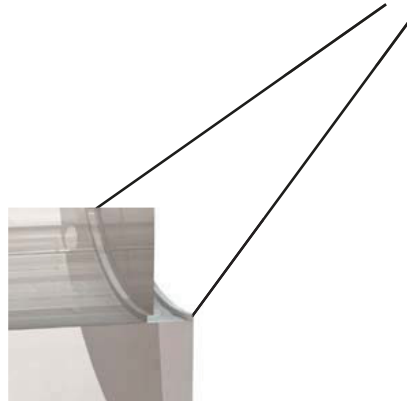
BIC RABONL2U



468-BHP



Chamber Port Plugs include stops and handles for precise positioning



Tongue and groove design provides fast setup times and ensures precise module alignment



Includes customized, water-tight hard case for easy transport & safe storage.

- Case includes built-in wedges for use as a phantom holder.

Specification complies with IEC 61223-3-5 and IEC 60601-2-4

Material	Polymethyl-Methacrylate (PMMA / Acrylic)
Density	1.19 g/cm <sup>3</sup>
Alignment Markings	Etched lines centered at the transverse, coronal and sagittal planes

Module	Dimensions (OD x Length)
Adult Body	32 cm x 14.5 cm
Adult Head/Pediatric Body	16 cm x 14.5 cm
Pediatric Head (model 468-BHP only)	10 cm x 14.5 cm

GAMMEX, World HQ  
+1 800 GAMMEX1  
e-mail: sales@gammex.com

GAMMEX, United Kingdom  
+44 (0) 115 924 7188  
e-mail: uksales@gammex.com

GAMMEX, Germany  
+49 (0) 6409 8086020  
e-mail: desales@gammex.com



INNOVATORS IN LASER ALIGNMENT & QUALITY ASSURANCE PRODUCTS

WWW.GAMMEX.COM

