

Water Equivalent Mini Phantom



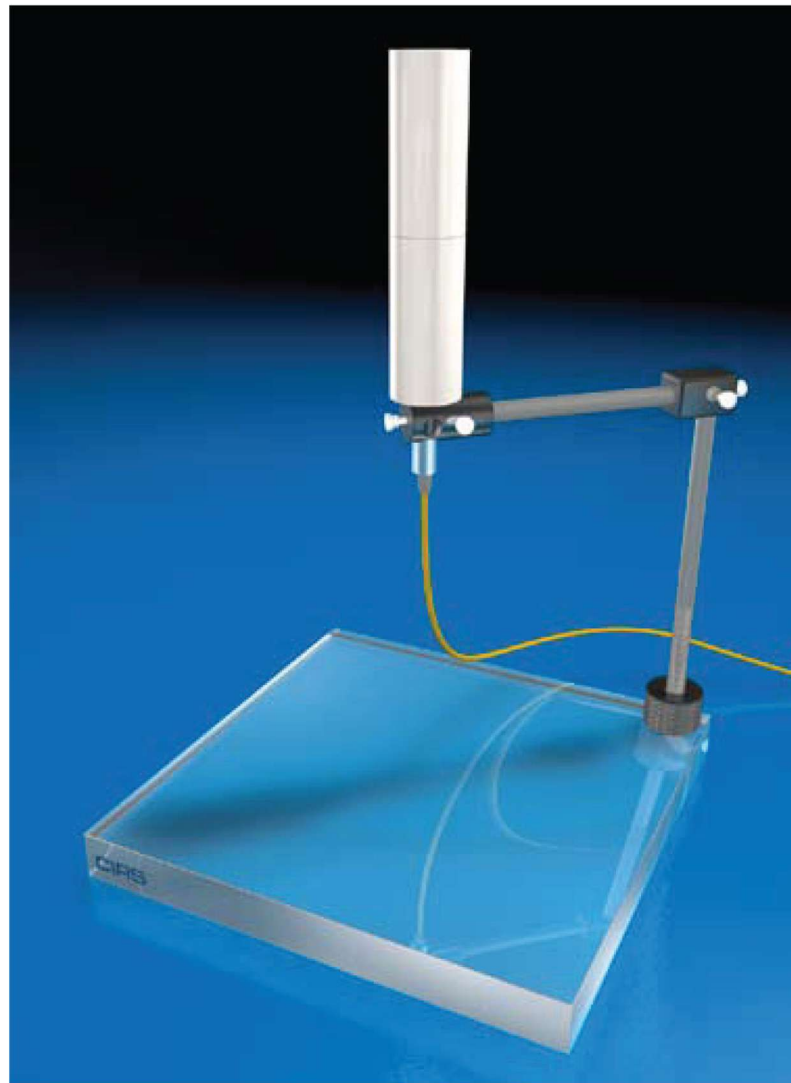
MEDICAL

Permits precise evaluation of scatter

The Water Equivalent Mini Phantom for Radiotherapy eliminates scatter radiation and X-ray beam electron contamination during the ion chamber measurements at a reference depth of 10 cm. Phantom material is Plastic Water® and precise machining improves the dosimetric accuracy and reliability of LINAC beam MU calibrations.

The Phantom satisfies the requirements of ESTRO Booklet 3 “Monitor unit calculation for high energy photon beams” for Output, Volume-Scatter and Scatter-Primary Ratio measurements.

The Model 670 provides an excellent tissue simulation and opportunity of true dose comparison with the 30 x 30 cm Plastic Water® slab phantom. *By positioning the ion chamber at a reference depth of 10 cm, the Mini Phantom allows the physicist to isolate and investigate the influence of scatter radiation



Model 670 & 670-S

on a reference dose measured in a slab phantom. The Model 670-S Mini-Phantom stand allows for vertical or

horizontal positioning of a 0.6cc Farmer and smaller diameter chambers. Precise three axis rotation improves measurement accuracy.

Tissue Simulation & Phantom Technology

CIRS

PEO B.V.

info@gotopeo.com
www.gotopeo.com

The Netherlands

Havenweg 16, 6603 AS Wijchen
+31 (0)24 648 86 88

Belgium

Watermolenstraat 2, B-2910 Essen
+32 (0)3 309 32 09

CoC 34107894

VAT NL807859151B01

IBAN NL29 RABO 0356 1960 46

BIC RABONL2U

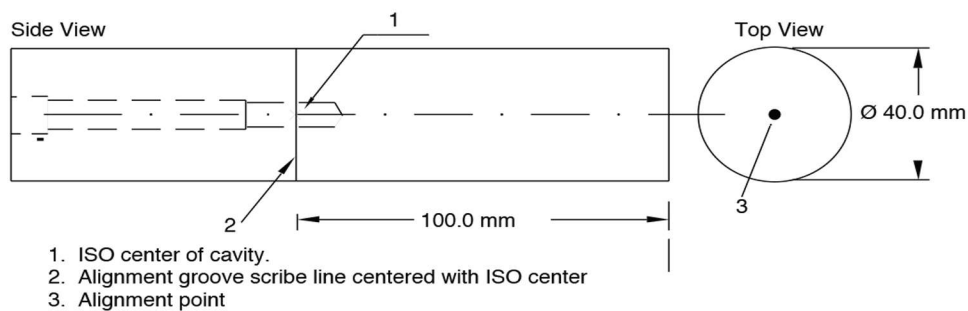


Model 670 Specifications:

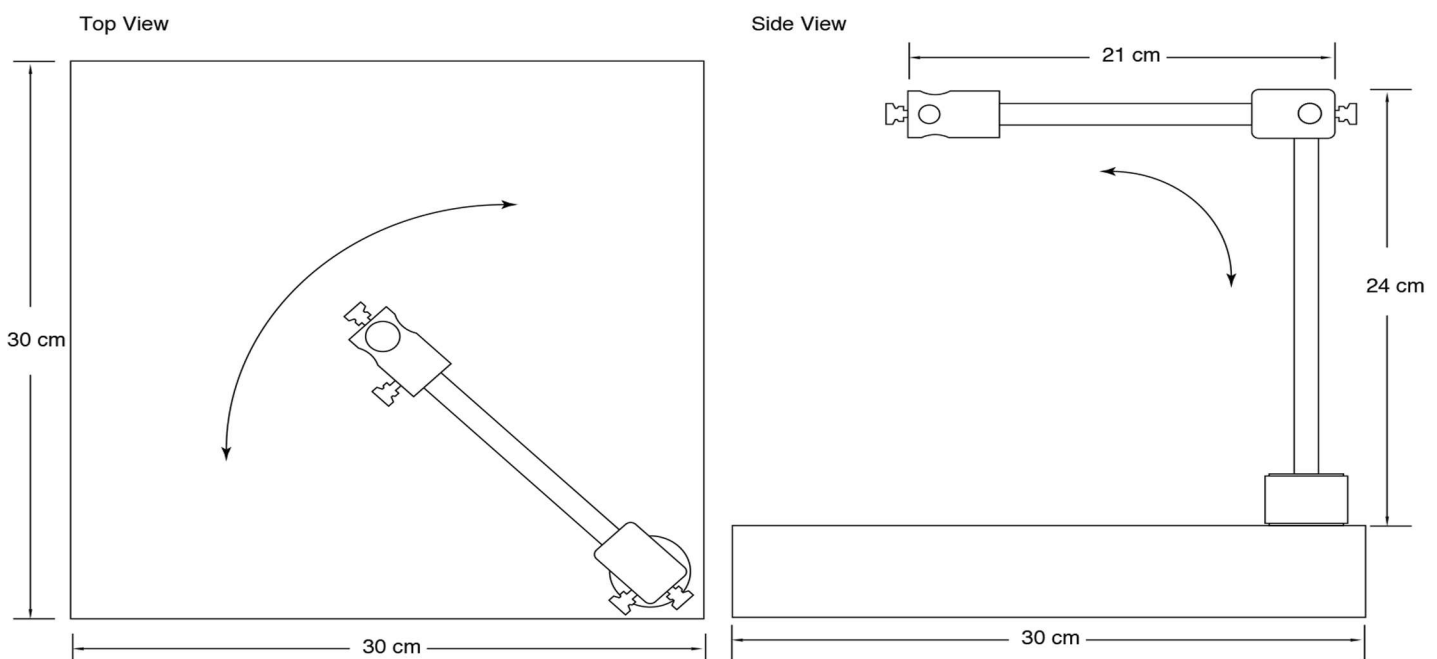
- Characteristics:** Water-Equivalent for photon beams 150 keV - 100 MeV
Composition: Plastic Water®
Shape: Cylindrical
Dimensions: As per drawing
Standard Cavity: Farmer 0.6cc Ion Chamber
Optional Cavities: By request

*Refer to separate CIRS cavity and plug code list for available chamber cavities.

Model 670-S Specifications



Stand: Acrylic base with adjustable holder and carbon rods



PEO B.V.

info@gotopeo.com
www.gotopeo.com

The Netherlands

Havenweg 16, 6603 AS Wijchen
+31 (0)24 648 86 88

Belgium

Watmolenstraat 2, B-2910 Essen
+32 (0)3 309 32 09

CoC 34107894

VAT NL807859151B01

IBAN NL29 RABO 0356 1960 46

BIC RABONL2U

