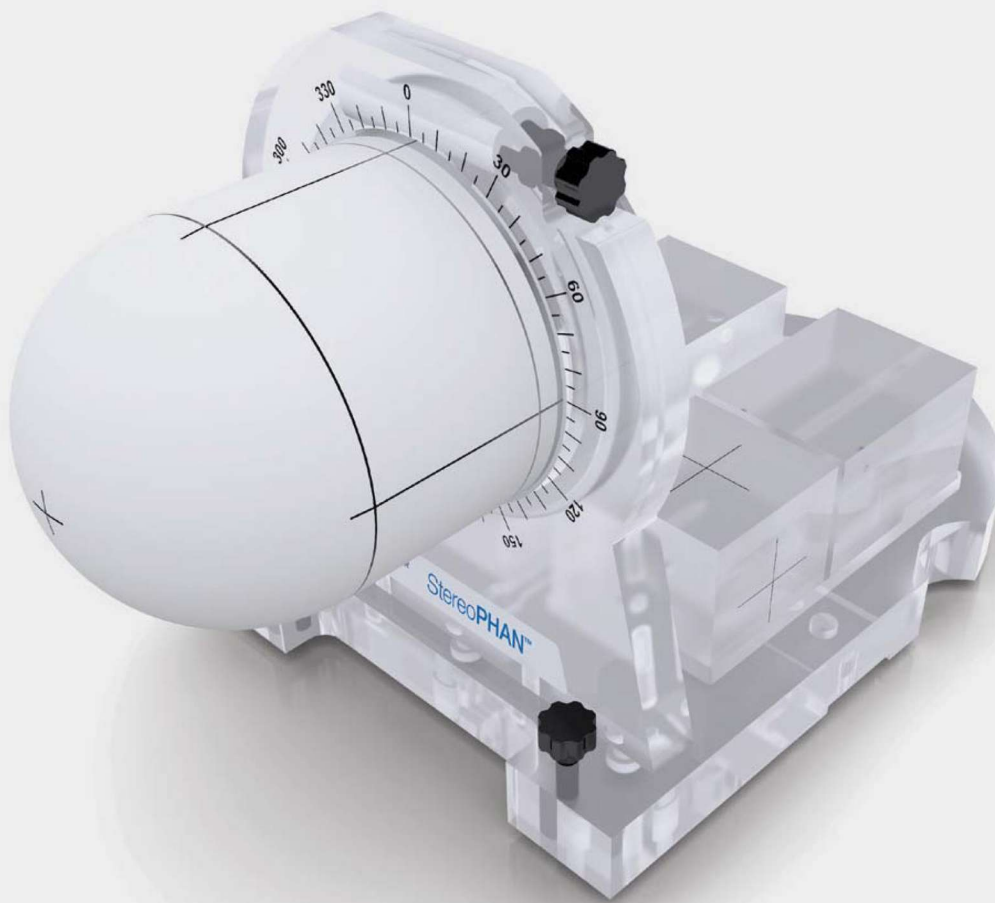


# StereoPHAN™

End-to-End Stereotactic Commissioning & QA



Your Most Valuable QA and Dosimetry Tools

PEO B.V.

info@gotopeo.com  
www.gotopeo.com

The Netherlands

Havenweg 16, 6603 AS Wijchen  
+31 (0)24 648 86 88

Belgium

Watmolenstraat 2, B-2910 Essen  
+32 (0)3 309 32 09

CoC 34107894

VAT NL807859151B01

IBAN NL29 RABO 0356 1960 46

BIC RABONL2U

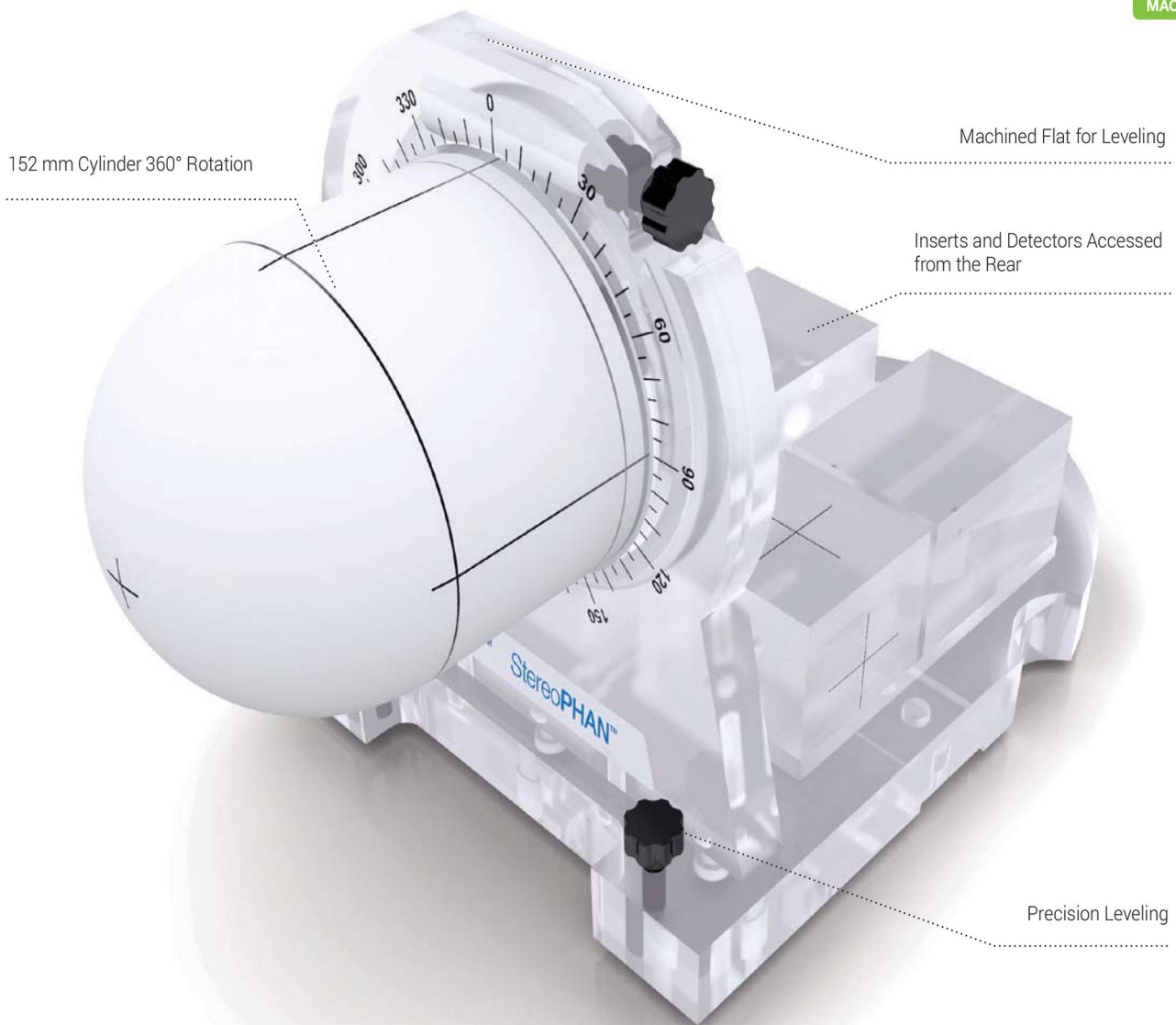


# END-TO-END QUALITY

StereoPHAN is designed for end-to-end commissioning and quality assurance testing on all parts of the SRS process. StereoPHAN inserts and configurations are quickly exchanged with no tools or change in setup. It's that simple, and that powerful.

## Features & Benefits

- Stereotactic (SRS/SRT/SBRT) end-to-end testing and patient-specific QA
- Adapters for Head-Frames and CyberKnife
- Image fusion
  - Quality assurance of image fusion algorithms for CT and MRI imaging modalities
- Dosimetry
  - Absolute, relative and point dose dosimetry QA measurements at isocenter with ion chambers; relative dose distribution using film
  - Dosimetry detector cabling remains outside of beam for interference-free dose measurement regardless of measurement setup
- Geometric accuracy
  - Optical and geometric isocenter
  - Laser alignment
  - Indexed table positioning alignment and positioning coordinates
  - CBCT and MV/kV isocenter alignment
- Easy setup and assembly
  - No tools required for assembly
  - Stand base can be mounted to a couch that uses the prevalent Lok-Bar™ system
  - Phantom stand holds the inserts, making them easily accessible during testing
- Inserts
  - Single cube insert tests CT and MRI imaging, including slice position, thickness and alignment
  - Target volumes in CT/MRI cube eliminate need for CT/MRI markers
  - Flat surface of ion chamber insert enables easier cross-calibration to water than the curved surface of a spherical geometry
- All components fit into a durable rolling case suitable for storage and air travel



## Standard Inserts



### Film

Film insert measures dose profiles and features five titanium fiducial markers and orientation marks. Easy disassembly reduces chance of damaging film when removing insert from cavity.



### Ion Chamber

Ion Chamber insert measures dose and positions active volume at geometric center of the phantom. To ensure a snug fit, each ion chamber insert is drilled to accommodate the ion chamber specified by the user.



### CT/MRI

CT/MRI insert verifies the accuracy of an image fusion algorithm. It includes three spherical cavities of varying sizes filled with mineral oil that are clearly visible in CT and MRI images. 3D volumes allow the user to perform true 3D image fusion by examining the accuracy of the fusion on multiple CT and MRI slices.



### MRI Signal Generator

MRI Signal Generator insert with liquid-filled cavity aids in MRI image acquisition (optional).



### Universal Spacer

Universal Spacer insert precisely positions the measurement inserts in phantom cylinder. It features five aluminum spheres at varying depths for CT-CT or CT-radiograph fusion. No separate set of markers required.

## CyberKnife® Support



**Film**

Film insert measures dose profiles and features 24k fiducial markers and orientation marks.



**CT**

CT/MRI insert verifies the accuracy of an image fusion algorithm. It includes three spherical cavities of varying sizes filled with mineral oil that are clearly visible in CT and MRI images.



**Chamber**

Ion Chamber insert measures dose at the geometric center of the phantom.

## SRS/SBRT Headframes



**Fraxion®  
GammaKnife®**



**Brainlab®**



## StereoPHAN Specifications

|                                      |                                |
|--------------------------------------|--------------------------------|
| Material:                            | Polymethyl methacrylate (PMMA) |
| Weight (including all inserts):      | 11.1 kg (24.6 lbs)             |
| Measurement cubes: (mm)              | 85 x 85 x 85                   |
| StereoPHAN dimensions:<br>L/W/H (mm) | 518 x 276 x 323                |

